

HaloGlowXL

10" LED RingLight

User Manual



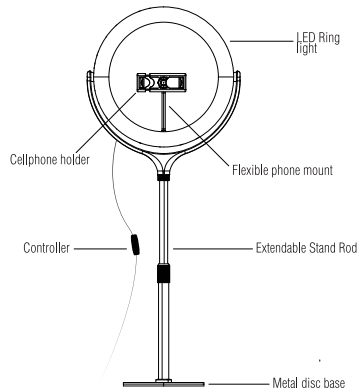
INTRODUCTION & FEATURES

HaloGlowXL is a professional lighting solution for your vlogs, selfies, video calls and more. Its sleek design features a flexible phone mount, an ultra-bright LED ring light and a sturdy 7" round base. The in-line, USB powered remote features multiple light settings for the perfect glow every time.

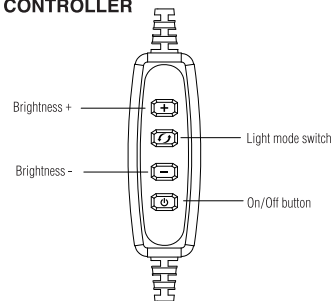
USER INSTRUCTIONS

1. Place metal disc base on flat surface and screw in stand rod clockwise until it is firmly secured.
2. Screw the LED ring light clockwise to the top of the stand rod until firmly secured.
3. Place your smartphone into the phone mount and adjust the angle to your liking.
4. Plug the remote cord into any USB power source and press the power button "⏻".
5. The LED light will be at the first brightness setting. To increase the brightness, press "+" up to 9 more times.
6. To decrease brightness, press "-" until the desired setting is reached.
7. To rotate between the three light modes (white/warm/mixed) press "🔄".

PRODUCT OVERVIEW & FUNCTIONS



CONTROLLER



PACKAGE CONTENT

10" LED ring light
User manual.

SPECIFICATIONS

Power : 25W
Size : 18x80cm
Material : ABS/PC/Metal rod
Charging Port : USB
LED Lamp Beads : 140pcs
Power Supply Mode : DC 5V 2A

TROUBLESHOOTING

If the unit malfunctions, do not attempt to repair it yourself. Doing so will violate the tzumi Warranty and may cause permanent damage. Instead, contact the Customer Support team at tzumi.com/support for assistance.



©Copyright 2019. All Rights Reserved. Made In China.